



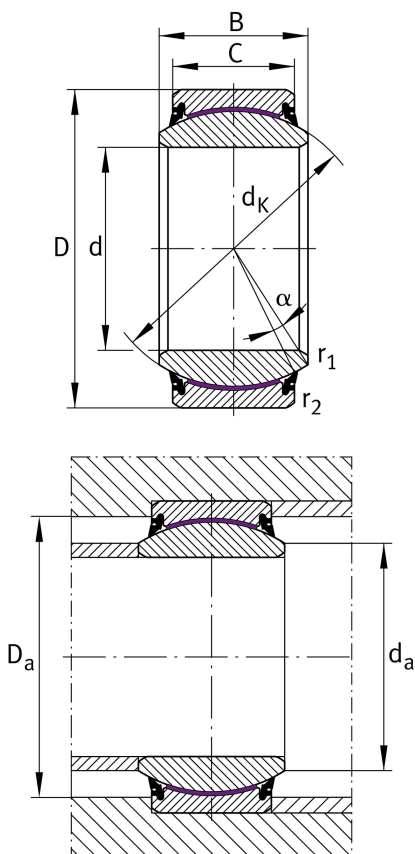
GE45-UK-2RS

Spherical plain bearing

Schaeffler ID:
0066503090000

Radial spherical plain bearing,
maintenance-free, sliding layer:
ELGOGLIDE, inner ring curved surface
with hard chromium coating, DIN ISO
12240-1, dimension series E, sealed

Technical information



Main Dimensions & Performance Data

D	68 mm	Outside diameter bearing
d	45 mm	Bore diameter bearing
B	32 mm	Width Inner ring
C	25 mm	Width Outer ring
C_r	360,000 N	Basic dynamic load rating, radial
C_{0r}	600,000 N	Basic static load rating, radial
	0.396 kg	Weight

Dimensions

d_K	60 mm	Ball diameter
α	7 °	Tilt angle
G_r	0 - 0,06 mm	Radial Clearance
d_{OT}	0 mm	Bore diameter bearing, upper tolerance
d_{UT}	-0.012 mm	Bore diameter bearing, lower tolerance
D_{OT}	0 mm	Outside diameter, upper tolerance
D_{UT}	-0.013 mm	Outside diameter, lower tolerance
B_{OT}	0 mm	Width inner ring, upper tolerance
B_{UT}	-0.12 mm	Width inner ring, lower tolerance
C_{OT}	0 mm	Width outer ring, upper tolerance

Mounting dimensions

r_{1smin}	0.6 mm	Edge Spacing
r_{2smin}	1 mm	Edge Spacing
d_{amax}	50.8 mm	Connection measure Inner ring
D_{amin}	57 mm	Housing Connection Diameter

Temperature range

T_{min}	-30 °C	Operating temperature min.
T_{max}	130 °C	Operating temperature max.